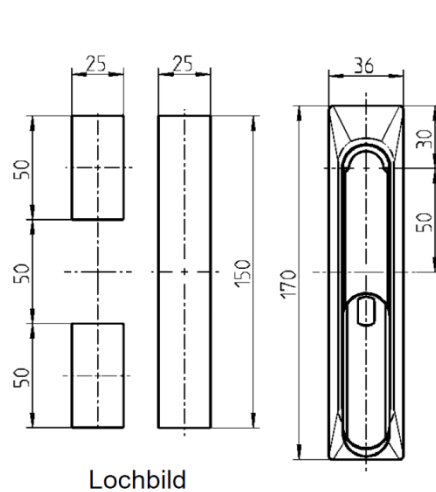
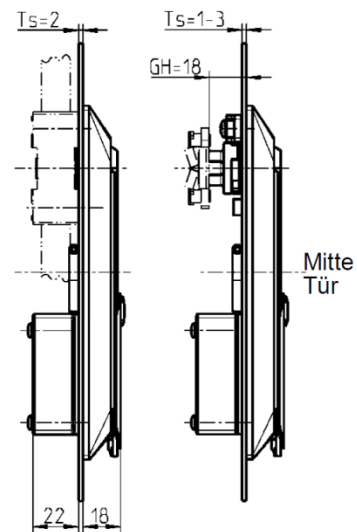


iQdata e-lock 1150



Lochbild



Dimensions

Similar to figure

Compatible hole patterns

This handle is suitable for locking cabinets in indoor areas. It is enabled by applying a voltage signal of 12 V DC. Then the handle is briefly pressed into the recess, so that it can be opened.

Article number

7809040

iQdata e-lock 1150

Dimensions / material

Width (W):	36.00 mm
Length (L):	18.00 mm
Height (H):	170.00 mm

Material / colour

Material:	Zinc die casting
Colour:	Handle body: black

Connection

Power supply:	12 V DC, 180 mA
Connection cable:	4 m

Connections RJ45

Pin	Colour	Signal
1	White	+12 V DC
2	Brown	0V
3	Yellow	Reed contact
4	Green	Reed contact

Status indicators

LED indicator:	Green: Handle status
-----------------------	----------------------

Features

- Integrated LED for signalling an enabled handle
- Potential free reed contact for remote monitoring of the handle status
- Emergency opening with a key in the event of power failure
- Cylinder cover is destroyed in emergency opening and must be replaced
- Can be connected to access unit 7809100 or locking unit 1150 7809140

Scope of delivery

1x swing handle	1x rod locking screw
2x fixing screws	

Accessories

507809330	iQdata door contact 1150 packed
------------------	---------------------------------